

REVISIONS					
REV	ECA NO.	BY	CHKD	APPD	DATE
1					

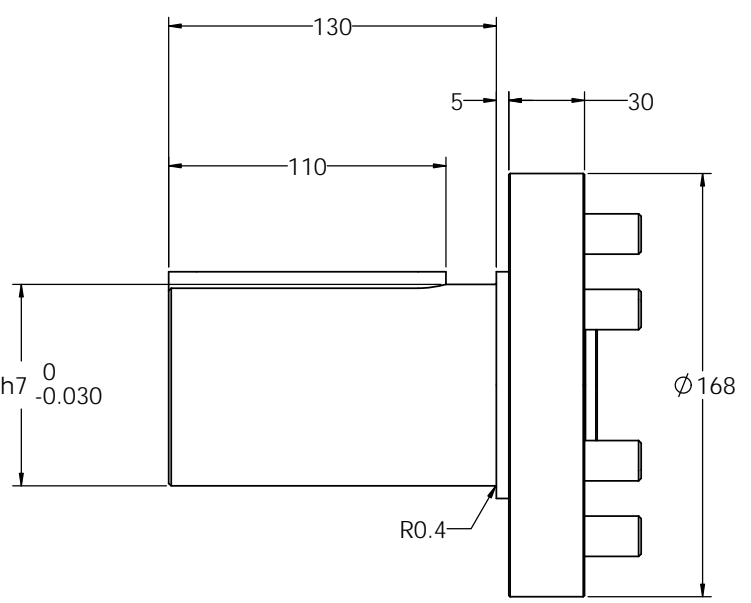
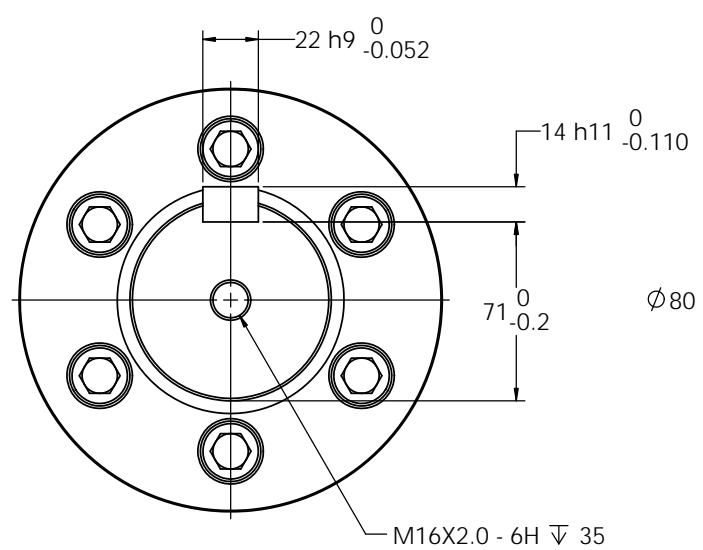
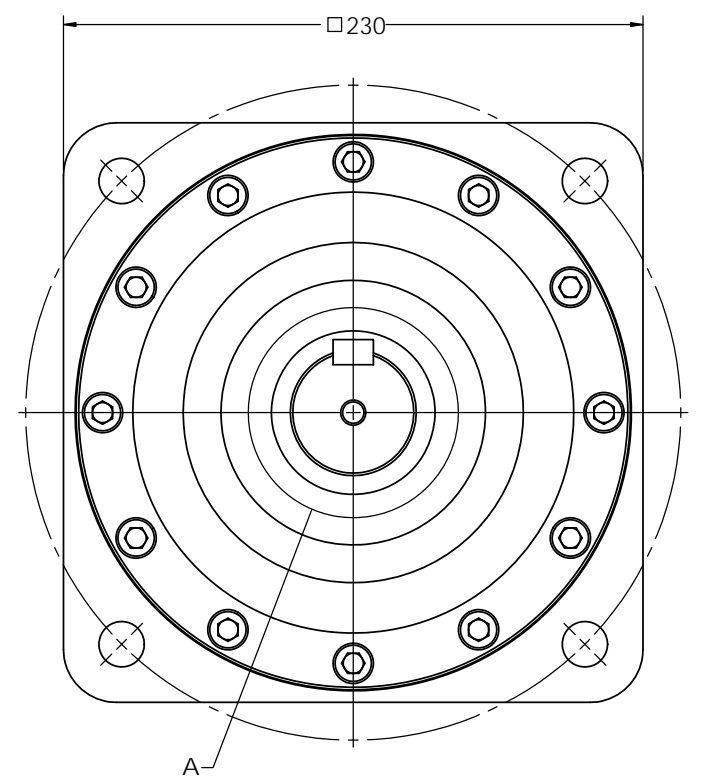
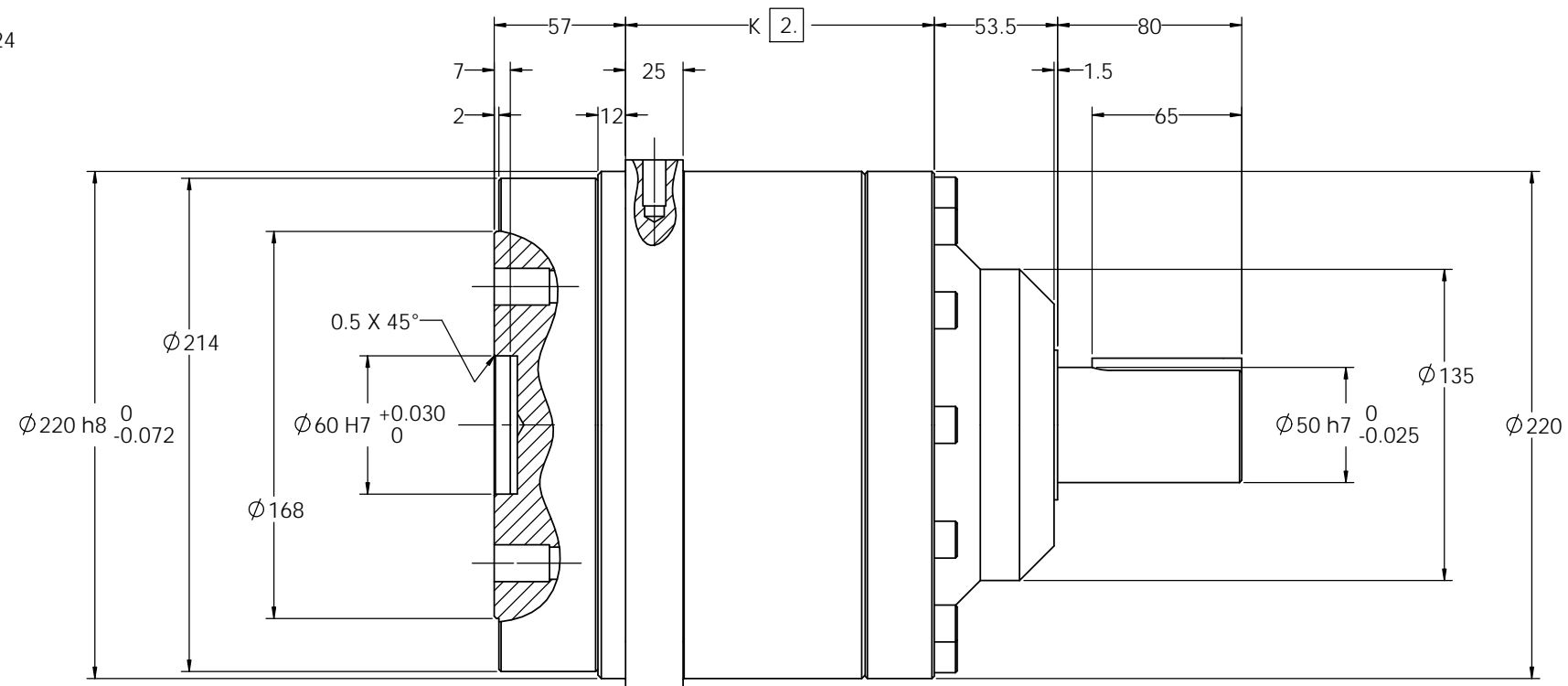
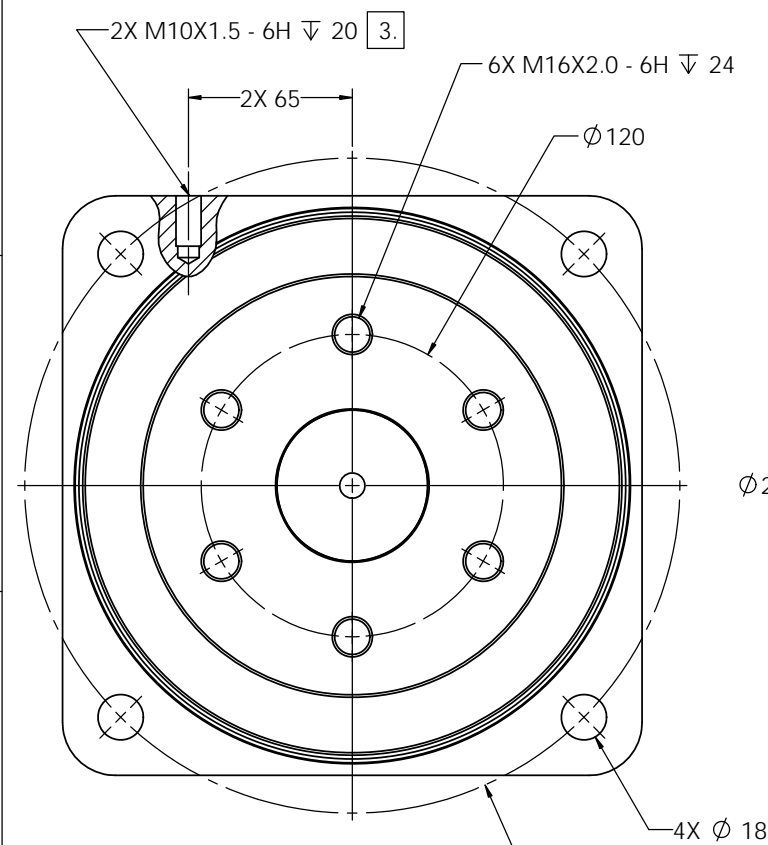
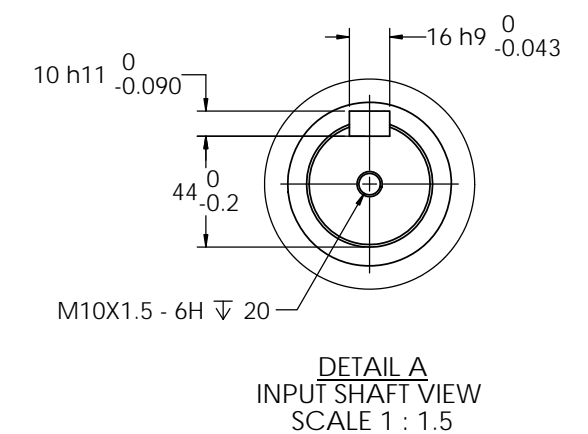


TABLE 1

RATIO	K
04, 05	64
12, 15, 20, 25, 40, 50	134

TABLE 2 - OUTPUT CONFIGURATIONS

-AA	DESCRIPTION
-F0	FLANGE ONLY
-J2	ϕ 80mm PLAIN SHAFT
-J6	ϕ 80mm SHAFT w/ KEY AND TAPPED HOLE



OUTPUT SHAFT VIEW
 -J6 CONFIGURATION SHOWN

- NOTES:
- DESIGN AND/OR HANDLING MUST BE IN COMPLIANCE WITH TECHNICAL INFORMATION FOUND IN HD CATALOG.
 - OVERALL LENGTH OF GEARHEAD VARIES WITH RATIO; SEE TABLE 1.
 - TAPPED HOLE FOR EYEBOLT. GEARHEAD MAY WEIGH IN EXCESS OF 50kg. USE CAUTION WHEN LIFTING.

PROPRIETARY AND CONFIDENTIAL THIS DRAWING CONTAINS VALUABLE CONFIDENTIAL AND PROPRIETARY TRADE SECRET INFORMATION OF HARMONIC DRIVE LLC. COPYING, DISCLOSING, OR USING THIS INFORMATION WITHOUT THE EXPRESS WRITTEN AUTHORIZATION OF HARMONIC DRIVE LLC IS PROHIBITED.	ISSUE DATE	HARMONIC DRIVE LLC 247 LYNNFIELD STREET PEABODY MASS 01960-4905 www.harmonicdrive.net	
	CONTRACT NO.		
	DRAFTSMAN WTH		CHECKER
	MATL. ENG.		DESIGN ENG HDSI
MFG. ENG.	QUALITY		
MATERIAL: SEE NOTE 1	SUBMITTED		
	SIMILAR TO		
SIZE D	FSCM 34519	DWG. NO. HPG-65A-U1	REV 1
SCALE: 1:1.5	WEIGHT:		SHEET 1 OF 1