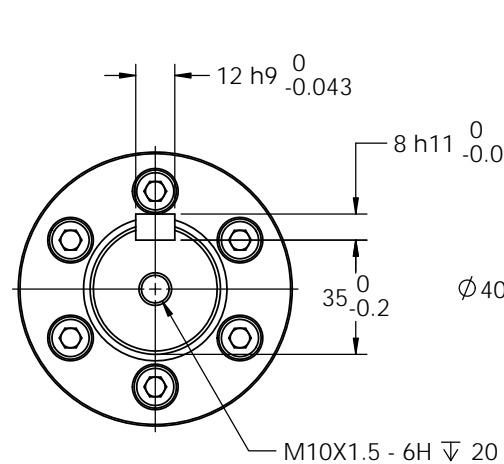
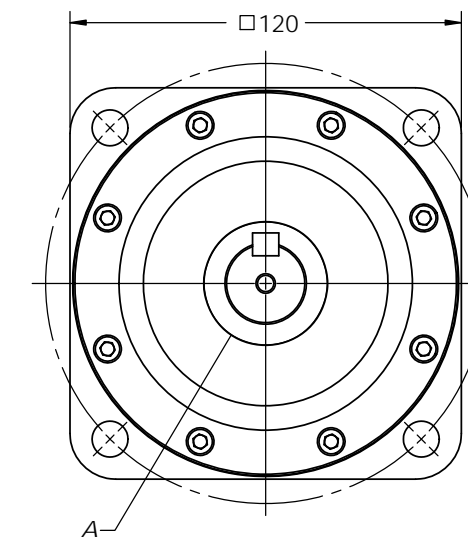
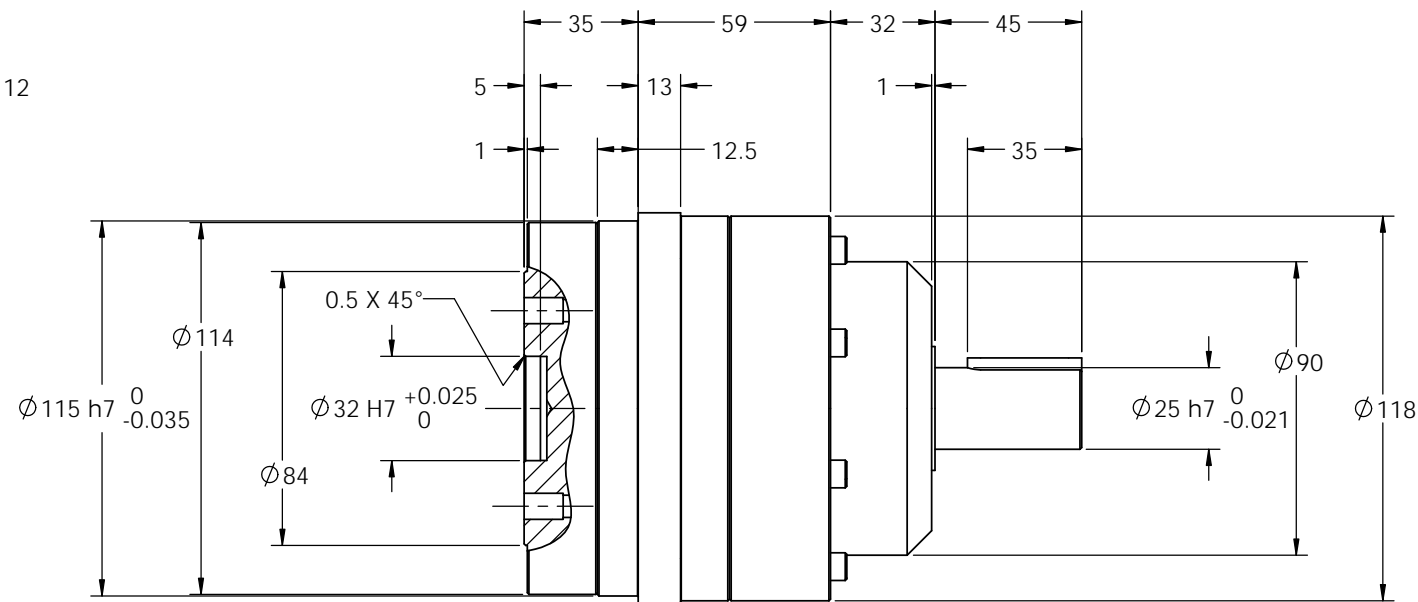
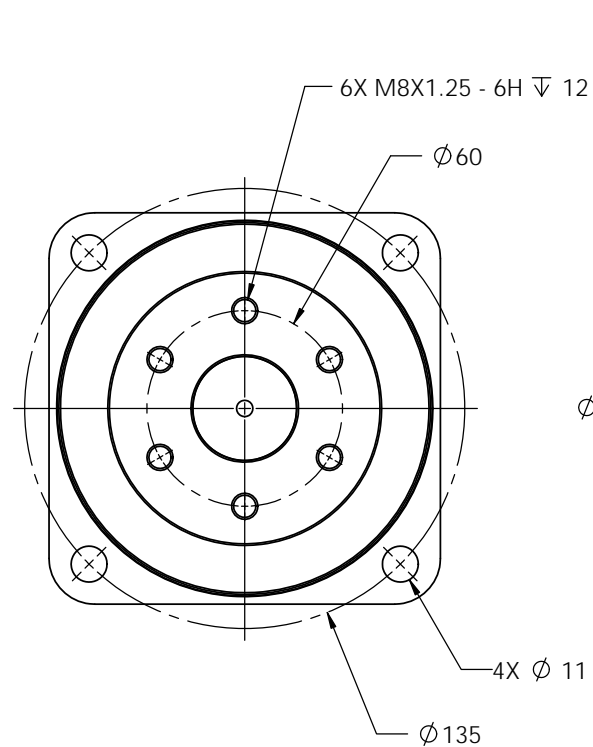
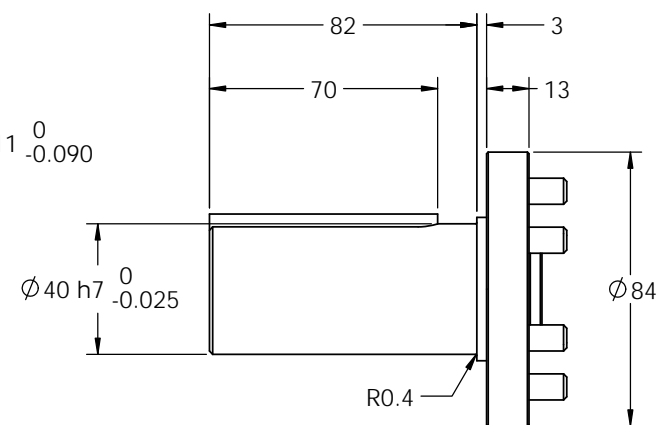


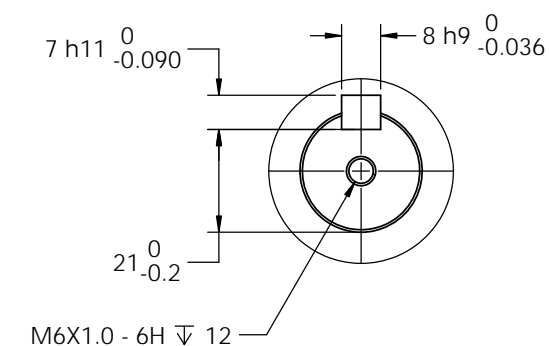
REVISIONS					
REV	ECA NO.	BY	CHKD	APPD	DATE
1	...				



OUTPUT SHAFT VIEW
-J6 CONFIGURATION SHOWN



OUTPUT CONFIGURATIONS	
-AA	DESCRIPTION
-F0	FLANGE ONLY
-J2	Ø 40mm PLAIN SHAFT
-J6	Ø 40mm SHAFT w/ KEY AND TAPPED HOLE



DETAIL A
INPUT SHAFT VIEW
SCALE 1 : 1

NOTES:

- DESIGN AND/OR HANDLING MUST BE IN COMPLIANCE WITH TECHNICAL INFORMATION FOUND IN HD CATALOG.

PROPRIETARY AND CONFIDENTIAL THIS DRAWING CONTAINS VALUABLE CONFIDENTIAL AND PROPRIETARY TRADE SECRET INFORMATION OF HARMONIC DRIVE LLC. COPYING, DISCLOSING, OR USING THIS INFORMATION WITHOUT THE EXPRESS WRITTEN AUTHORIZATION OF HARMONIC DRIVE LLC IS PROHIBITED.	ISSUE DATE	
	CONTRACT NO.	
	DRAFTSMAN WTH	CHECKER
	MAT'L ENG	DESIGN ENG HDSI
	MFG. ENG.	QUALITY
MATERIAL:	SUBMITTED	
	SIMILAR TO	



HARMONIC DRIVE LLC
247 LYNNFIELD STREET
PEABODY MASS 01960-4905
www.harmonicdrive.net

TITLE:
**INSTALLATION DRAWING
HPG-32A-XX-AAU1**

SIZE C	FSCM 34519	DWG. NO. HPG-32A-U1	REV 1
SCALE: 1:1.5		WEIGHT:	