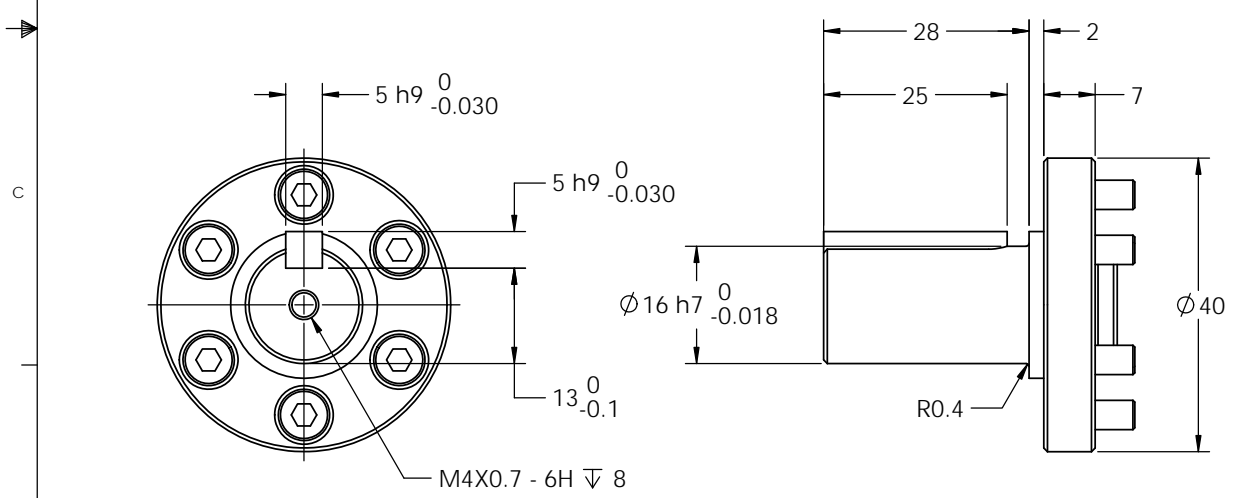
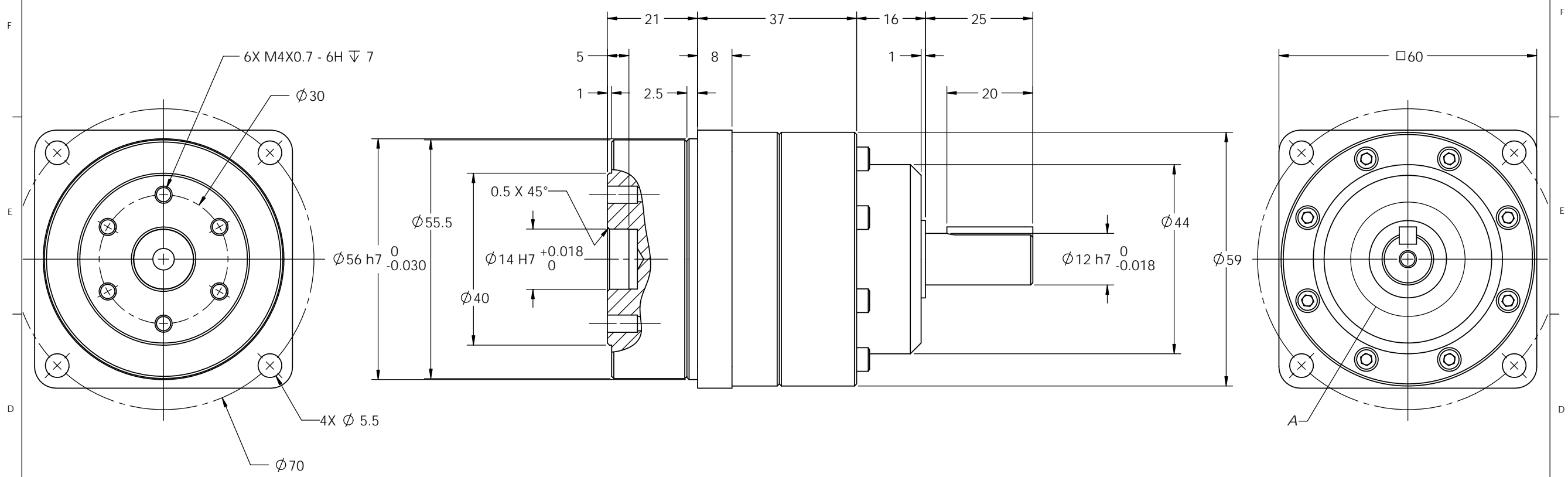
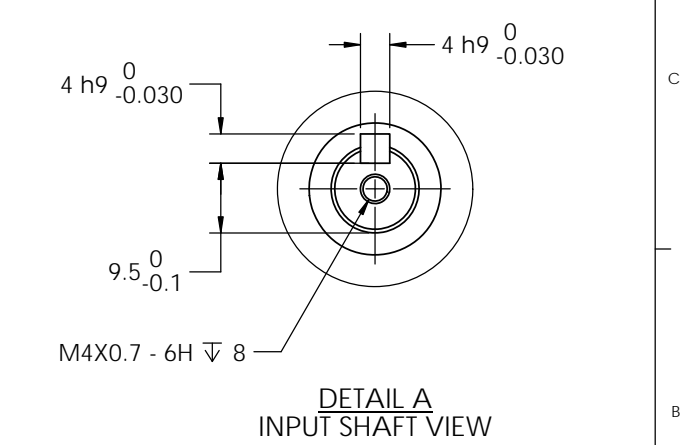


REVISIONS					
REV	ECA NO.	BY	CHKD	APPD	DATE
1	---				



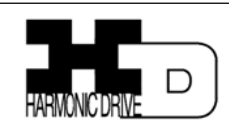
OUTPUT CONFIGURATIONS	
-AA	DESCRIPTION
-F0	FLANGE ONLY
-J2	ϕ 16mm PLAIN SHAFT
-J6	ϕ 16mm SHAFT w/ KEY AND TAPPED HOLE



OUTPUT SHAFT VIEW
-J6 CONFIGURATION SHOWN

NOTES:
1. DESIGN AND/OR HANDLING MUST BE IN COMPLIANCE WITH TECHNICAL INFORMATION FOUND IN HD CATALOG.

PROPRIETARY AND CONFIDENTIAL THIS DRAWING CONTAINS VALUABLE CONFIDENTIAL AND PROPRIETARY TRADE SECRET INFORMATION OF HARMONIC DRIVE LLC. COPYING, DISCLOSING, OR USING THIS INFORMATION WITHOUT THE EXPRESS WRITTEN AUTHORIZATION OF HARMONIC DRIVE LLC IS PROHIBITED.	ISSUE DATE	
	CONTRACT NO.	
	DRAFTSMAN WTH	CHECKER
	MAT'L ENG	DESIGN ENG HDSI
	MFG. ENG.	QUALITY
MATERIAL:	SUBMITTED	
	SIMILAR TO	



HARMONIC DRIVE LLC
 247 LYNNFIELD STREET
 PEABODY MASS 01960-4905
 www.harmonicdrive.net

TITLE: INSTALLATION DRAWING HPG-14A-XX-AAU1			
SIZE C	FSCM 34519	DWG. NO. HPG-14A-U1	REV 1
SCALE: 1.5:1		WEIGHT:	
SHEET 1 OF 1			