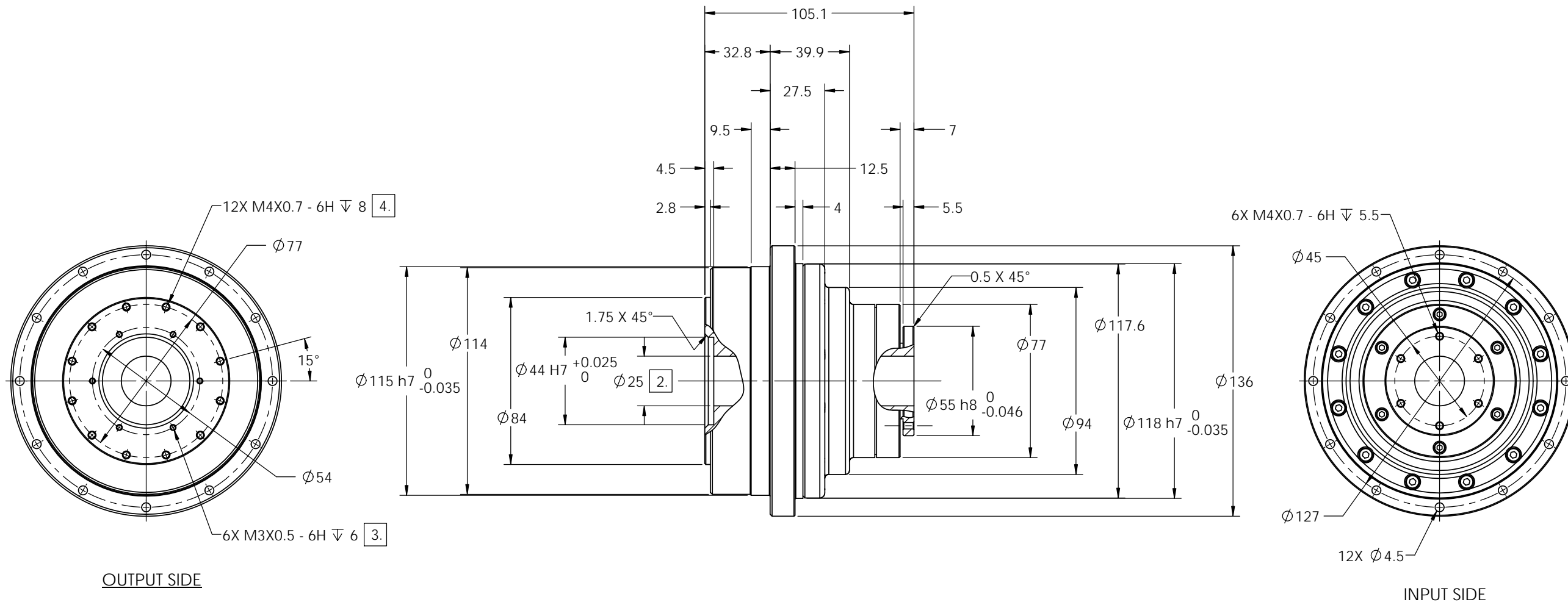


REVISIONS					
REV	ECA NO.	BY	CHKD	APPD	DATE
1	---				



NOTES:

- DESIGN AND/OR HANDLING MUST BE IN COMPLIANCE WITH TECHNICAL INFORMATION FOUND IN HD CATALOG.
- HOLLOW SHAFT INNER DIAMETER. ROTATES WITH INPUT SIDE (HIGH SPEED).
- USE TO MOUNT LOW SPEED SHEATH THRU HOLLOW SHAFT. DO NOT USE TO MOUNT LOAD.
- USE TO MOUNT OUTPUT LOAD.

PROPRIETARY AND CONFIDENTIAL THIS DRAWING CONTAINS VALUABLE CONFIDENTIAL AND PROPRIETARY TRADE SECRET INFORMATION OF HARMONIC DRIVE LLC. COPYING, DISCLOSING, OR USING THIS INFORMATION WITHOUT THE EXPRESS WRITTEN AUTHORIZATION OF HARMONIC DRIVE LLC IS PROHIBITED.	ISSUE DATE	
	CONTRACT NO.	
	DRAFTSMAN WTH	CHECKER
	MAT'L ENG	DESIGN ENG HDSI
	MFG. ENG.	QUALITY
MATERIAL:	SUBMITTED	
	SIMILAR TO	

	HARMONIC DRIVE LLC 247 LYNNFIELD STREET PEABODY MASS 01960-4905 www.harmonicdrive.net		
	TITLE: INSTALLATION DRAWING HPF-25A-11-FOU1		
SIZE C	FSCM 34519	DWG. NO. HPF-25A-FOU1	REV A
SCALE: 1:1.5		WEIGHT: 1.82	SHEET 1 OF 1